

»ONE« Series

Multifunctional service unit with 6 or 7 functions in a single device:

3/2-way valve (manually operated), filter with automatic drain valve, air ports, pressure regulator, pressure gauge, soft start valve and optional pressure switch

This combination of extremely good flow rates and a wide range of functions integrated in a single, compact unit saves valuable space and is unmatched by any similar product available in the market!

Soft starting independently of the load and easy replacement of the filter cartridge under pressure are just two of the other outstanding features of this amazing device.

Medium:	Pneumatics
Input pressure:	Max. 10.0 bar
Control range:	0.5 – 8.0 bar
Pore diameter in the filter element:	20 µm
Temperature range:	-10 °C to +50 °C
Protection IP	IP 65
Voltage:	24 V DC (for valves and pressure switch)
Pressure switch:	Changeover contact
Flow rate measurement:	At 6.3 bar and $\Delta p = 1.0$ bar



Service units, »ONE« Series, without pressure switch

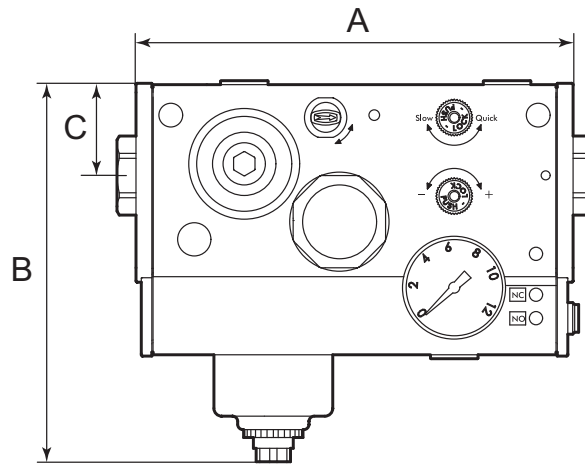
Artikel No.	Ident No.	Connection	Flow rate l/min	A mm	B mm	C mm
533.301	101122	G 1/4	2400	165.5	144.0	35.0
533.302	101123	G 3/8	3300	165.5	144.0	35.0
533.303	101124	G 1/2	4000	165.5	144.0	35.0

Service units, »ONE« Series, with pressure switch

Artikel No.	Ident No.	Connection	Flow rate l/min	A mm	B mm	C mm
533.311	101125	G 1/4	2400	165.5	144.0	35.0
533.312	101126	G 3/8	3300	165.5	144.0	35.0
533.313	101127	G 1/2	4000	165.5	144.0	35.0

Accessories / spare parts

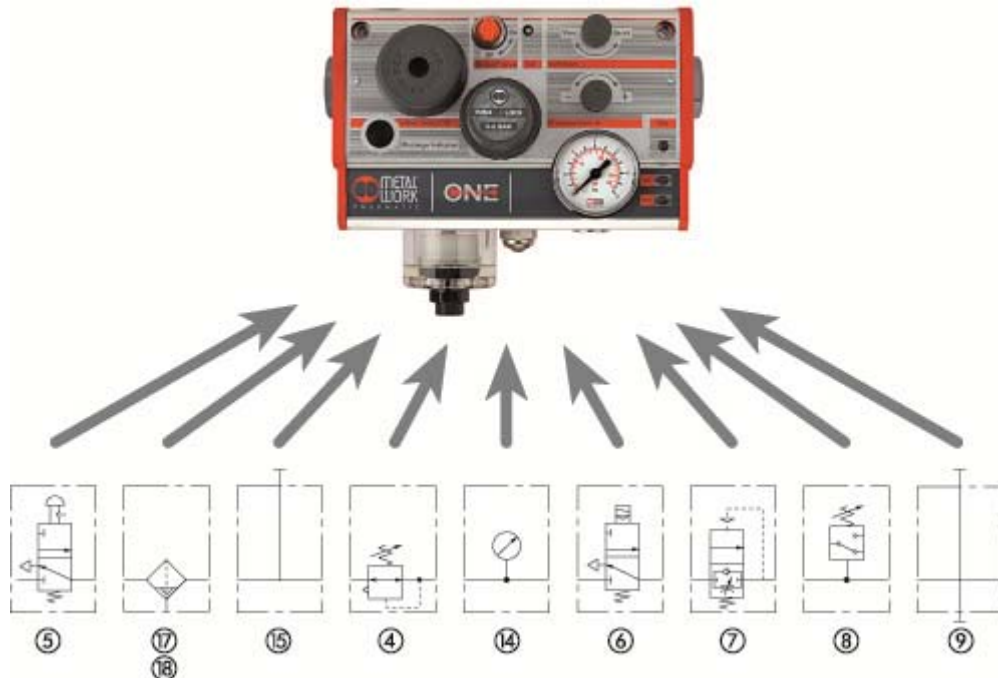
Artikel No.	Ident No.	
533.905	101128	Filter element 5 µm
533.900	101129	Filter element 20 µm
533.1412	101130	Threaded connection G 1/4
533.3812	101131	Threaded connection G 1/2
533.901	101132	Electric connection cable, straight wall outlet, 5.0 m cable, 5-wire
533.902	101133	Electric connection cable, 90° elbow wall outlet, 5.0 m cable, 5-wire
533.906	101134	Mounting bracket incl. 2 screws



533.303

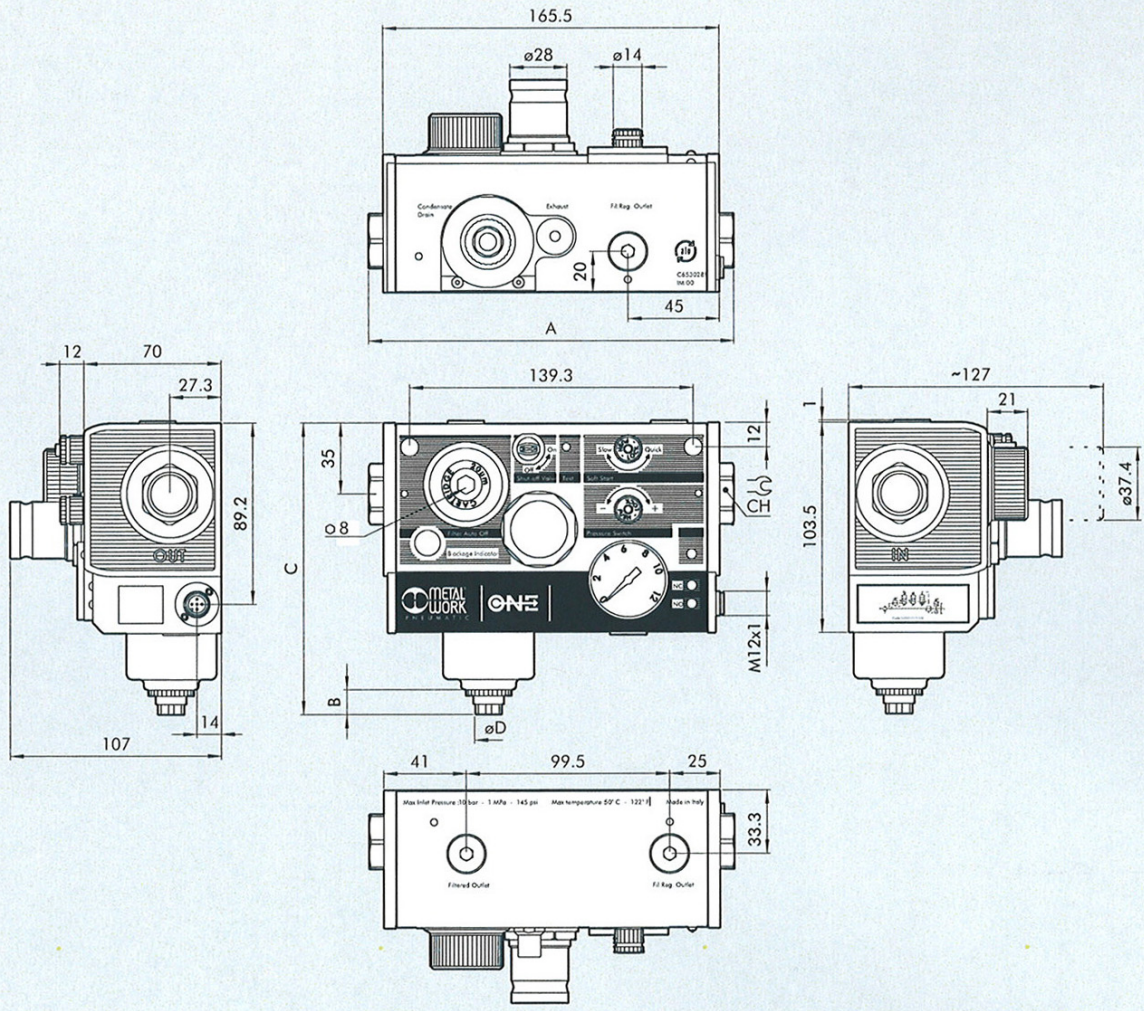


533.313



- ① Air intake, with swivel threaded port
- ② Fixing holes
- ③ Access to filter cartridge
- ④ Pressure regulation
- ⑤ Shut-off (manual)
- ⑥ Soft start valve regulation
- ⑦ Switching pressure regulation (optional)
- ⑧ Air outlet, with swivel threaded port
- ⑨ LED signalling unit ON
- ⑩ LED signalling pressure below the value set on the pressure switch (optional)
- ⑪ LED signalling pressure above the value set on the pressure switch (optional)
- ⑫ 5-pin M12x1 electrical connector
- ⑬ Pressure gauges
- ⑭ 1/4" air intake. Another regulated air intake and a filtered non-regulated air intake are situated on the top
- ⑮ Air exhaust with a G 1/4" silencer
- ⑯ Condensate bowl
- ⑰ Condensate drain with G1/8" thread (for RA only)
- ⑱ Clogged filter signal (on request)





	1/4"	3/8"	1/2"	3/4"	1"
A		180		195	
CH	19	22	27	32	36

	RA	RMSA
B	12.2	16.4
C	144	148
øD	15	15